

PRODUCT SPECIFICATION

BSG AIRCARE

Product Family: BSG AIRCARE

Model: AC-05, AC-10, AC-20, AC-30

Description: Air and Surface Purifier

Power information

Input voltage:	100-240 V AC
Input frequency:	50/60 Hz
Amperage:	0.16-0.06 A
Electric consumption:	16 W
Plug:	Country-specific

Sizing information

- Specified by volume or odour sources
- AC-05:** Small, single closet
- AC-10:** Small to medium, ≤ 3 odour sources
- AC-20:** Medium, ≤ 6 odour sources
- AC-30:** Large, ≤ 6 odour sources
- High trafficked areas may require a larger model
- Large areas may require multiple units

Features

- Wall plug or mains installation
- 4m (13') power cord
- Ceiling or wall mount kit
- Space saving design

Applications

- Animal odour removal
- Care homes/nursing homes
- Food storage
- Garbage/rubbish collection
- Gymnasiums
- Odour abatement
- Restrooms/washrooms
- Smoke removal

Warranty

One year parts and labour on entire unit.



BSG AC System

- Eliminate odours, smoke and chemicals
- Reduce bacteria, viruses, mould, and other micro-contaminants
- Improve the hygiene in the air and on surfaces
- Certified to be safe, proven to be effective
- Designed specifically for restrooms/washrooms and more
- Portable or fixed installations
- Completely automated and chemical-free
- Maintenance free - requires simple annual UV lamp replacements(s)

PRODUCT SPECIFICATION

BSG AIRCARE

Product Family: BSG AIRCARE
Model: AC-05, AC-10, AC-20, AC-30
Description: Air and Surface Purifier



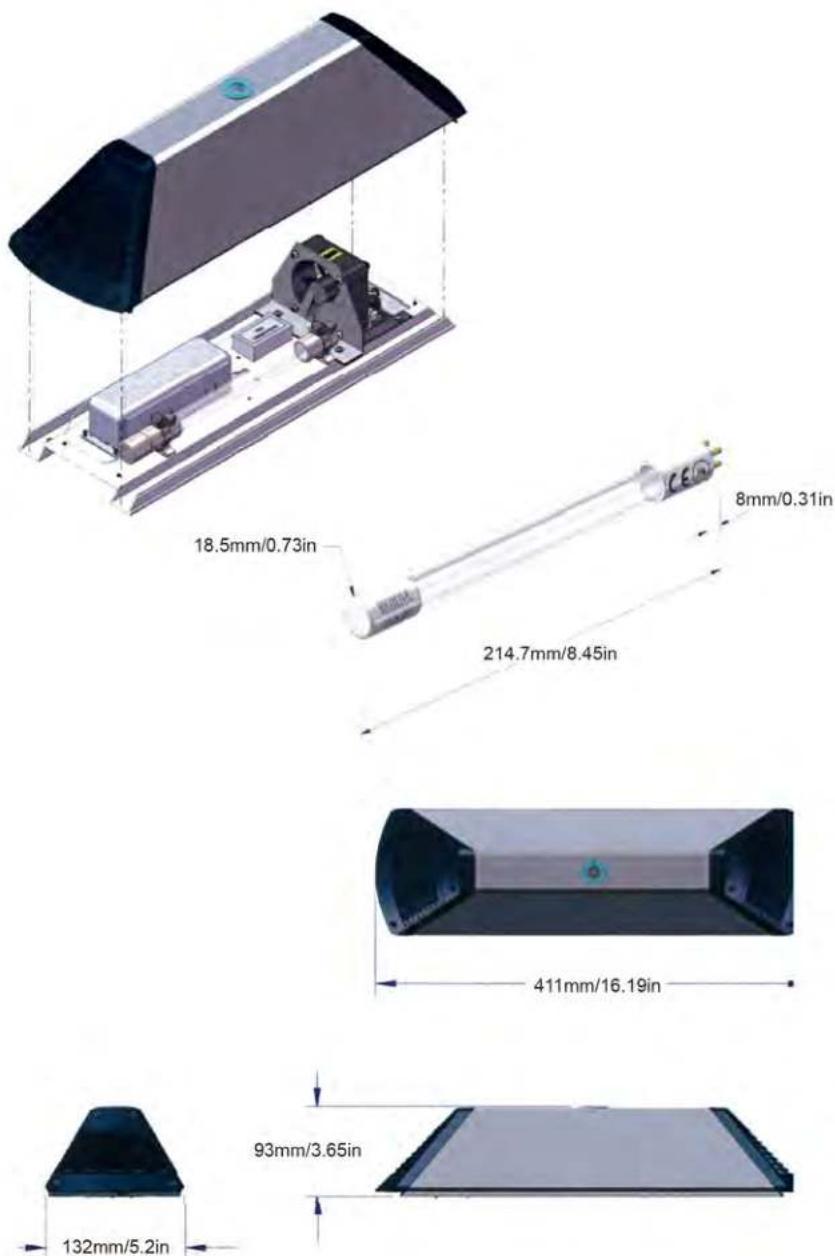
Contents

- UV lamp (pre-installed)
- Owner's Manual and Installation Guide
- Lock key
- Wall anchor (optional)
- Mounting screws (optional)

Validation studies

BSG technology is shown to reduce:	By up to (%)
Avian Influenza Virus (H5N2) ⁵	>99.999
Parainfluenza Virus (hPIV-3) ⁵	>99.999
Surface E. coli ^{1,2}	>99.999
Surface Listeria ²	>99.999
Surface Salmonella ²	100
Airborne bacteria ³	98.24
Airborne H ₂ S ⁴	100

1. Test performed by Pennsylvania State University
2. Test performed by Tri-Tech Analytical Laboratories
3. Test performed by LAWN Environmental Ltd
4. Test performed by SMQ Academy
5. Test performed by CNRS



Reorder information

Parts	Code
AC-05	10-08010
AC-10	10-08025
AC-20	10-08050
AC-30	10-08100

Specifications

Length	41.2cm (16.2")
Width	13.2cm (5.2")
Height	9.3cm (3.65")
Weight	1.13kg (2.5lbs)
Power cord length	33cm (13")

PRODUCT SPECIFICATION

BSG PR

Product Family: AIRCARE

Model: PR-05, PR-10, PR-20, PR-30

Description: Air and Surface Purifier

Power Information

Input voltage:	100-240 V AC
Input frequency:	50 Hz & 60 Hz
Power supply output voltage:	12 V DC
Amperage:	0.800 A
Electric consumption:	9.6 W
Power supply capacity:	2.08 A

Sizing information

- Effective in rooms up to 100m² (1060ft²)

Features

- Universal power supply
- Adjustable output
- Remote control
- Optional wall mount kit
- Portable, space saving design

Applications

- Virus and bacteria disinfection
- Portable or fixed virus shield
- Care homes / nursing homes
- Food odour removal
- Garbage collection areas
- Smoke removal

Warranty

One year parts and labor on entire unit.



BSG PR System

- Reduce viruses, bacteria, mould, and other micro-contaminants
- Eliminate odours, smoke, and chemicals
- Improve the hygiene in the air and on surfaces
- Certified to be safe, proven to be effective
- Portable or fixed installations - take it wherever you go
- Completely automated and chemical-free
- **Minimal Maintenance** – requires simple annual UV lamp replacement

Product Family: AIRCARE

Model: PR-05, PR-10, PR-20, PR-30

Description: Air and Surface Purifier



Validation studies

BSG technology is shown to reduce:	By up to (%)
Avian Influenza Virus (H5N2) ¹	>99.999
Parainfluenza Virus (hPIV-3) ¹	>99.999
Surface E. coli ^{2,3}	>99.999
Surface Listeria ³	>99.999
Surface Salmonella ³	100
Airborne bacteria ⁴	98.24
Airborne H ₂ S ⁵	100

1. Test performed by CNRS
 2. Test performed by Pennsylvania State University
 3. Test performed by Tri-Tech Analytical Laboratories
 4. Test performed by LAWN Environmental Ltd
 5. Test performed by SMQ Academy

PR selection chart

	PR-05	PR-10	PR-20	PR-30	
Air Changes Per Hour (ACH)	0	115ft ² /11m ²	300ft ² /28m ²	477ft ² /45m ²	1060ft ² /99m ²
	1	84ft ² /8m ²	216ft ² /20m ²	345ft ² /32m ²	839ft ² /78m ²
	2	66ft ² /7m ²	168ft ² /16m ²	265ft ² /25m ²	589ft ² /55m ²
	4	44ft ² /5m ²	115ft ² /11m ²	186ft ² /18m ²	415ft ² /39m ²
	6	35ft ² /4m ²	88ft ² /9m ²	142ft ² /14m ²	316ft ² /29m ²
	8	27ft ² /3m ²	71ft ² /7m ²	115ft ² /11m ²	257ft ² /24m ²

Contents

- PR
- Remote control
- UV lamp (pre-installed)
- Owner's Manual and Installation Guide
- Wall anchor (optional)
- Mounting screws (optional)

Reorder information

Parts	Code
PR-05	10-08010
PR-10	10-08025
PR-20	10-08050
PR-30	10-08100

Specifications

Length	269.24mm (10.6")
Width	101mm (4.0")
Height	218.44mm (8.6")
Weight	1.75kg (3.85 lbs)
Power cord length	2.7m (8')